

DECCA

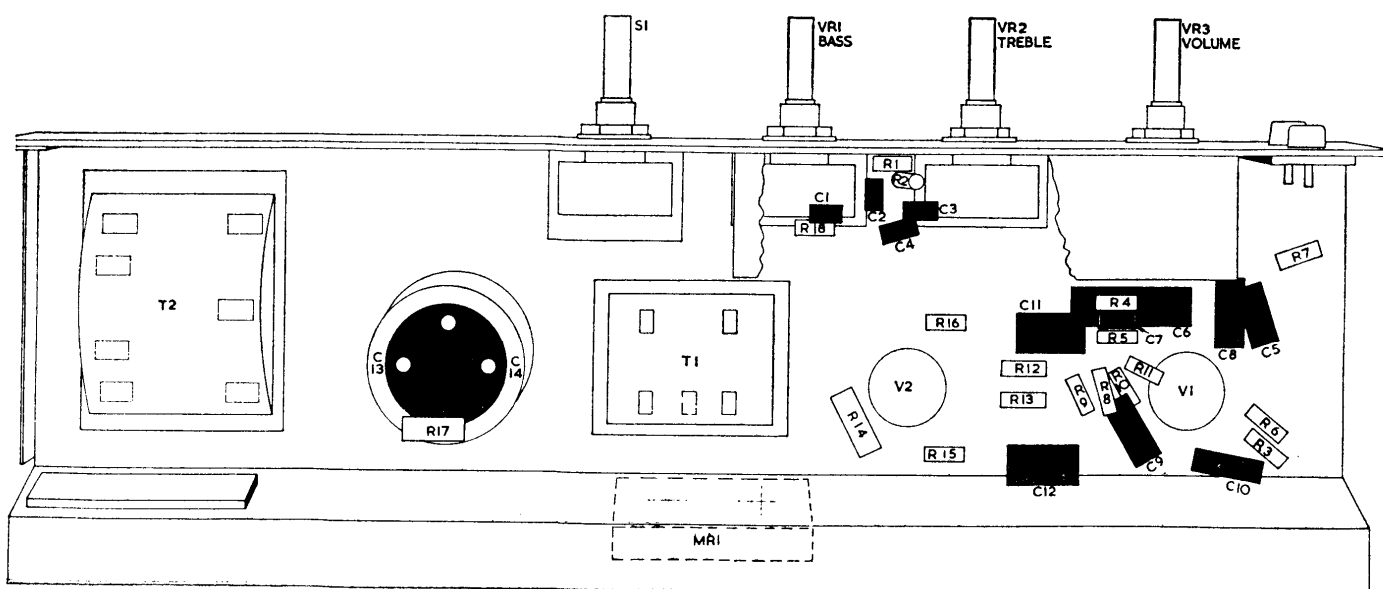
Model RP205

General Description: Two-valve, three-stage record reproducer with push-pull output stage. Record changer unit Garrard AT5 with Decca Deram head which is suitable for mono and stereo microgroove recordings. A.C. mains, 200–250 volts, 50 c/s., 50 watts. Low impedance tape output socket for use with tape recorder, and stereo output socket for use with Decca Model SC200 stereo conversion unit.

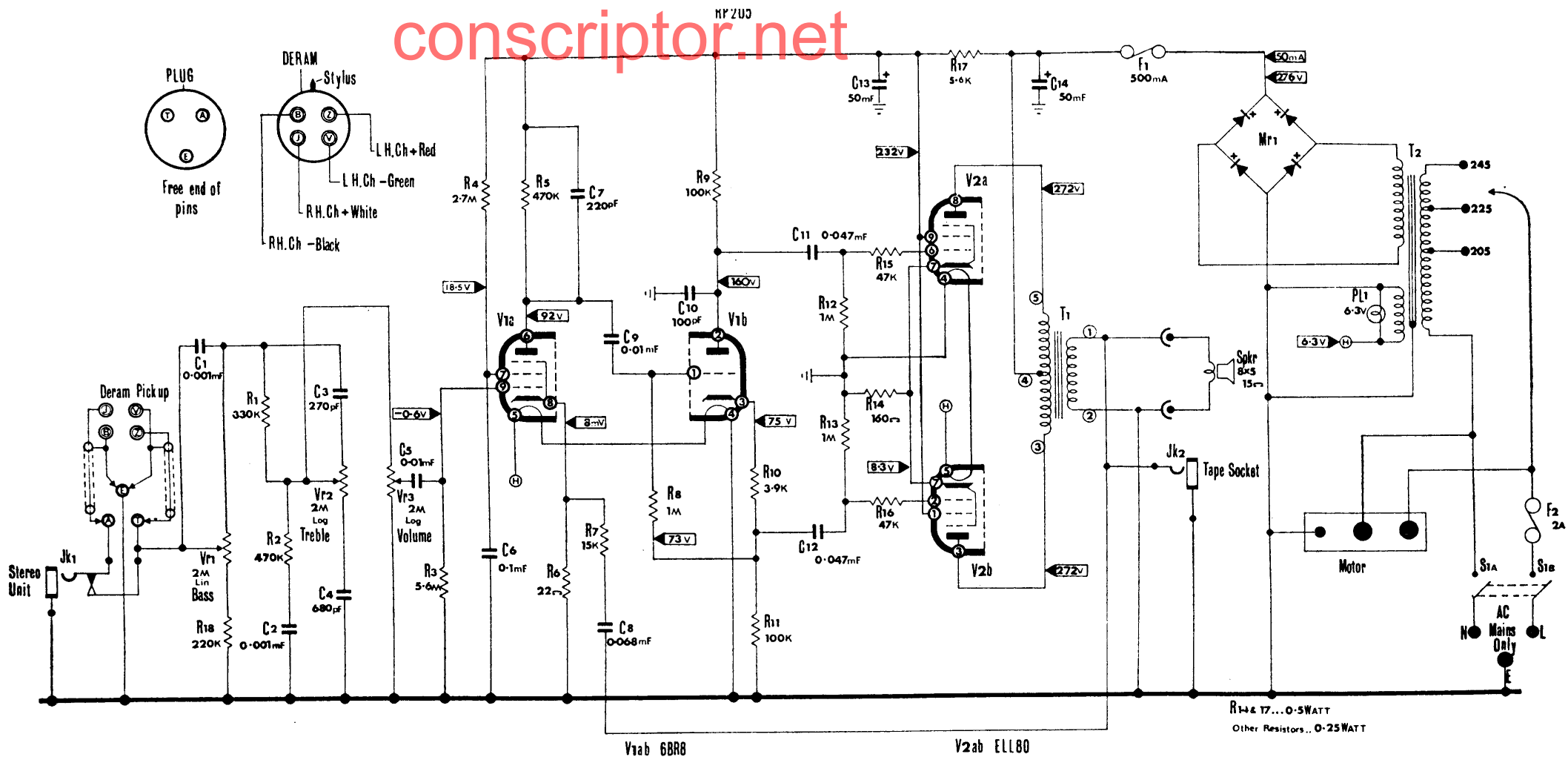
Valves: (V1) 6BR8; (V2) ELL80; H.T. bridge rectifier, FC442.

Stylus Replacement: The microgroove diamond stylus tracks at 4–5 grammes and gives negligible record wear. Since a diamond is *not* a permanent needle, it should be checked periodically for wear: groove jumping and distortion in upper frequencies are signs that the stylus is reaching the end of its useful life. Old stylus is removed by running finger down front of pick-up head to ease stylus bar out of its slot. Stylus bar is then grasped between finger and thumb, pulled forward and freed from rear location hole. New stylus bar is then held gently between finger and peg is inserted into hole. Slot should then grip stylus sufficiently to hold it in position while fingers are removed in order to push front of stylus gently backwards until stylus collar locates *gently* against nose of stylus slot. Stylus bar is touched so that stylus sits right in slot. If stylus does not sit squarely so that diamond shank is vertical, it is inadvisable to twist bar into better position; instead remove it and re-set it into position. At no time should the stylus be gripped firmly, handled with tweezers or rolled between fingers. Should owner wish to play 78 r.p.m. records a 78 r.p.m. Deram cartridge (sapphire Green coding) is available from Decca Spares Department.

Notes: Indicator lamp 6.5-volt, 0.3-amp. Fuses H.T. 500 mA.; Mains 2-amp. VR1 linear, VR2 and VR3 log. potentiometers.



LAY-OUT DIAGRAM—DECCA MODEL RP205



CIRCUIT DIAGRAM—DECCA MODEL RP205

Dismantling: Loosen three coin-slotted screws and remove sloping cover from amplifier. Remove four Phillips-head wood screws securing motor board. Remove motor board and autochanger after having disconnected three-pin plug and three-pin mains connector from amplifier. Remove two 4BA nuts securing amplifier chassis to cabinet base. Remove

knobs. Ease amplifier clear of front location studs. Speaker leads are easily disconnected as they are on amplifier tags. Amplifier can now be removed from cabinet. If required to remove amplifier to another bench, mains lead can be removed from clamp at rear of cabinet and transported with amplifier.