

BUSH**Models AC.2, DAC.2**

General Description : Five-valve, including rectifier, three-waveband superheterodyne receiver with "Bush Bi-focal Tone" negative feedback. Released Autumn 1947. Price £25 4s. od. (including purchase tax).

Power Supplies :

Model AC.2 : A.C. mains only, 100-120, 200-250 volts, 40-100 c/s. Four tapplings 110, 210, 230, 250. Consumption 40 watts.

Model DAC.2 : A.C./D.C. mains, 200-250 volts. Three tapplings 210, 230, 250. Consumption 60 watts.

Wavebands : L.W. 900-2000 m. (333.3-150 kc/s.); M.W. 195-550 m. (1530-545.4 kc/s.); S.W. 16-50 m. (18.75-6 Mc/s.).

Intermediate Frequency : 465 kc/s.

Valves : Mullard (V₁) CCH35, frequency changer; (V₂) EF39, I.F. amplifier; (V₃) EBC33, detector, A.V.C. diode, L.F. amplifier; (V₄) CL33, output; (V₅) CY31, mains rectifier.

Scale Lamps : One for each waveband—three in all.

Model AC.2 : 3.5 volts, 0.3 amp.

Model DAC.2 : 6.2 volts, 0.3 amp.

Modifications : In later models C₃₁ is 0.005 μ F., R₁₁ is connected between second I.F. secondary and C₂₄. Pick-up socket is connected to the junction of R₁₁ and C₂₄. A 10k resistor in series with a 0.01- μ F. capacitor is connected across the output transformer primary.

Alignment Procedure : *Warning*—The chassis of these receivers are "Live". A dummy aerial, consisting of a 400-ohm non-inductive resistor for the short waveband and a fixed capacitor of 200 pF. for medium and long wavebands, should be connected in series with the output of the signal generator.

I.F. : Connect the signal generator to V₂ control grid and adjust L₁₆ and L₁₅ for maximum output. Transfer the signal to V₁ control grid and adjust L₈ and L₇. With the signal applied to V₁ control grid make a finer adjustment of L₁₆, L₁₅, L₈ and L₇ and repeat in the reverse order for final setting.

L.W. : Adjust TC₆ oscillator, TC₃ aerial, on 1000 m. (300 kc/s.) with the receiver tuned to 1000 m. Check calibration on 2000 m. (150 kc/s.).

M.W. : Adjust TC₅ oscillator on 200 m. (1500 kc/s.) with the receiver tuned to 200 m. Adjust TC₂ aerial on 300 m. (1000 kc/s.) with receiver tuned to 300 m. Check calibration on 500 m. (600 kc/s.).

S.W. : Adjust TC₄ oscillator, TC₁ aerial on 25 m. (12 Mc/s.) with receiver tuned to 25 m. Check calibration on 50 m. (6 Mc/s.).

D.C. Resistances :

L ₁ , L ₂	Under $\frac{1}{2}$ ohm	L ₃	0.6 ohm	L ₄	4.0 ohms	L ₅	32 ohms
L ₆	16 ohms	L ₉ , 10	Under $\frac{1}{2}$ ohm	L ₁₁	0.6 ohm	L ₁₂	3.2 ohms
L ₁₃	1.5 ohms	L ₁₄	4.0 ohms	L ₇ 8, 15, 16	5.5 ohms each		
	Mains transformer:				Output transformer		
	AC.2 110-volt tap		86 ohms		Primary		180 ohms
	210-volt tap		165 ohms		Secondary		0.22 ohm
	230-volt tap		180 ohms		Ratio		45.4 : 1
	250-volt tap		200 ohms				
	3.5-volt tap		2.2 ohms				
	Heater tap		58 ohms				

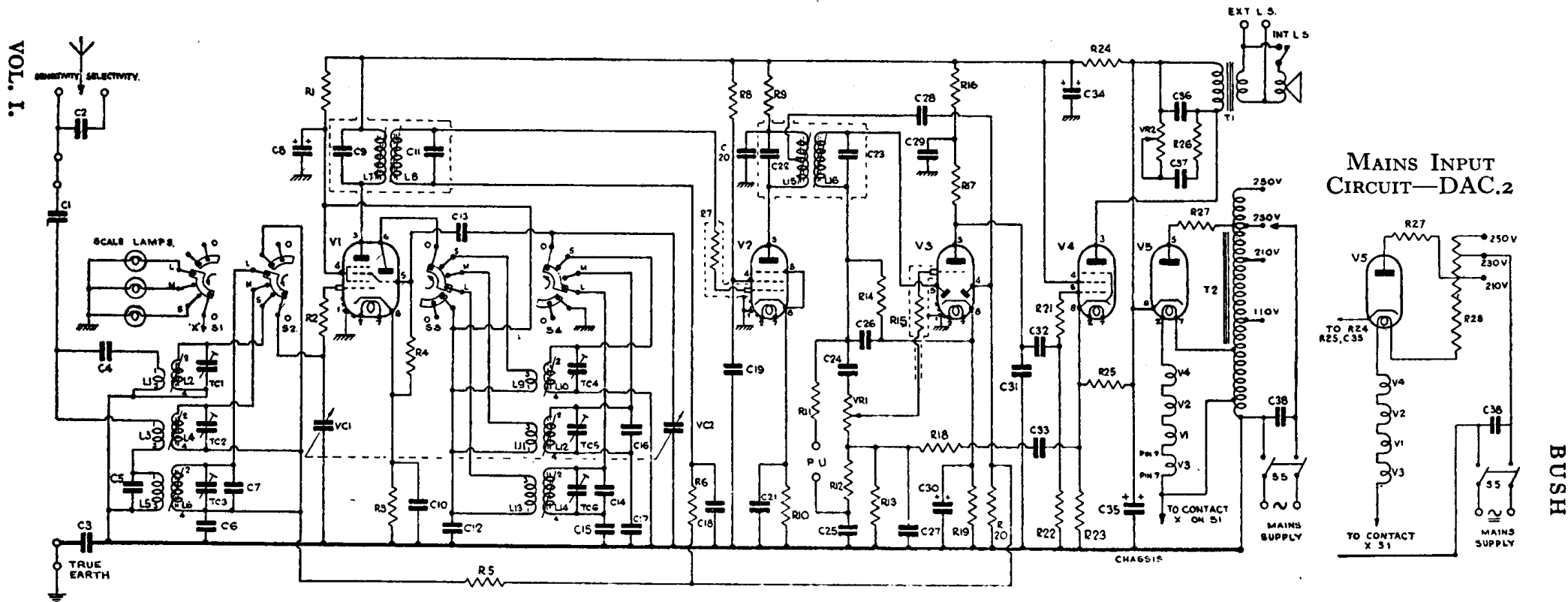
(continued on page 194)

BUSH—MODELS AC.2, DAC.2 (continued from page 192).

Voltage Checks : Operating on 230 volts A.C.

CCH35	Hex. anode . . .	174	EBC33	Anode . . .	39
	Screen . . .	79		Cathode . . .	0.7
	Osc. anode . . .	79		CL33	Anode . . .
Cathode . . .	0.7	Screen . . .	175		
EF39	Anode . . .	131	CY31	Cathode . . .	6.5
	Screen . . .	59		Anode . . .	219 A.C.
	Cathode . . .	1.0		Cathode . . .	243

Pick-up Sockets : Pick-up sockets are provided, but no switching facilities are available, and the tuning must be set away from a station in order to avoid break-through. The D.C. resistance should be between 1000 and 2000 ohms unless a crystal pick-up is used, when a correction circuit is necessary.



CIRCUIT DIAGRAM—BUSH MODELS AC.2 AND DAC.2

Capacitors.

C1	0.005
C2	50 pF.
C3	0.005
C4	50 pF.
C5	800 pF.
C6	0.1
C7	30 pF.
C8	2
C9	110 pF.
C10	0.05
C11	110 pF.
C12	0.05
C13	50 pF.
C14	180 pF.
C15	390 pF.
C16	10 pF.

C17	605 pF.
C18	0.05
C19	0.5
C20	0.05
C21	0.05
C22	110 pF.
C23	110 pF.
C24	0.01
C25	0.1
C26	100 pF.
C27	0.1
C28	50 pF.
C29	0.5
C30	50
C31	0.001
C32	0.05

C33	0.05
C34	16
C35	32
C36	0.001
C37	0.05
C38	0.05

Resistors.

R1	15k
R2	47
R3	100
R4	33k
R5	1M
R6	1M
R7	47

R8	100k
R9	10k
R10	220
R11	47k
R12	47k
R13	4700
R14	330k
R15	100k
R16	100k
R17	100k
R18	1000
R19	1500
R20	1M
R21	47k
R22	470k

R23	130
R24	3300
R25	150k
R26	2200
R27	130
R28	600 + 100 + 100 (DAC.2 only)
VR1	2M
VR2	50k

Variable Capacitors.

VC1	2 × 528 pF.
VC2	Ganged
TC1-6	3-40 pF.